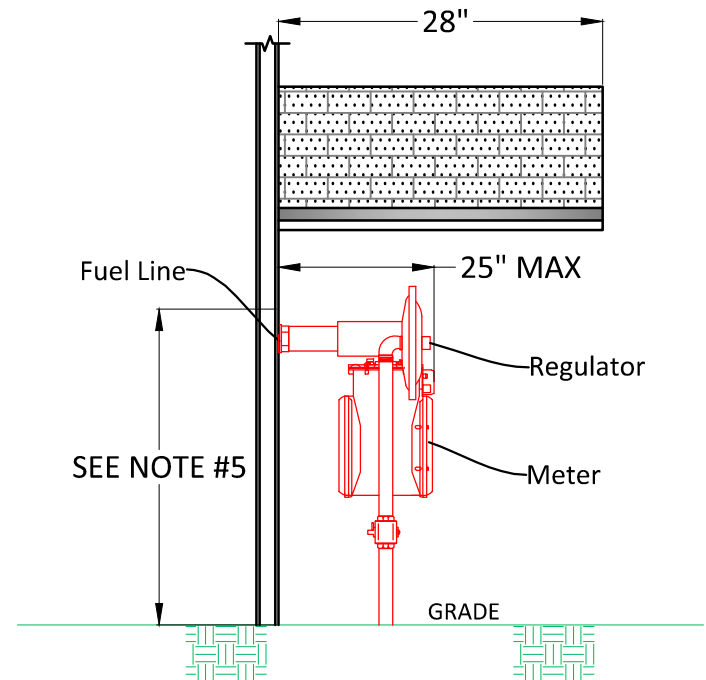


FRONT



SIDE

NOTE 1: Provide adequate clearances for operations and maintenance of the meter set assembly (see table above).

NOTE 2: Do not enclose the meter set assembly.

NOTE 3: Shelter's roof must be adequately supported to protect the meter set assembly from snow loads. Roof support pillars may be necessary.

NOTE 4: The meter set assembly will not be installed until the shelter is installed.

NOTE 5: Contact your IGC Consumer Sales Representative to determine which meter set will be installed and at what height.